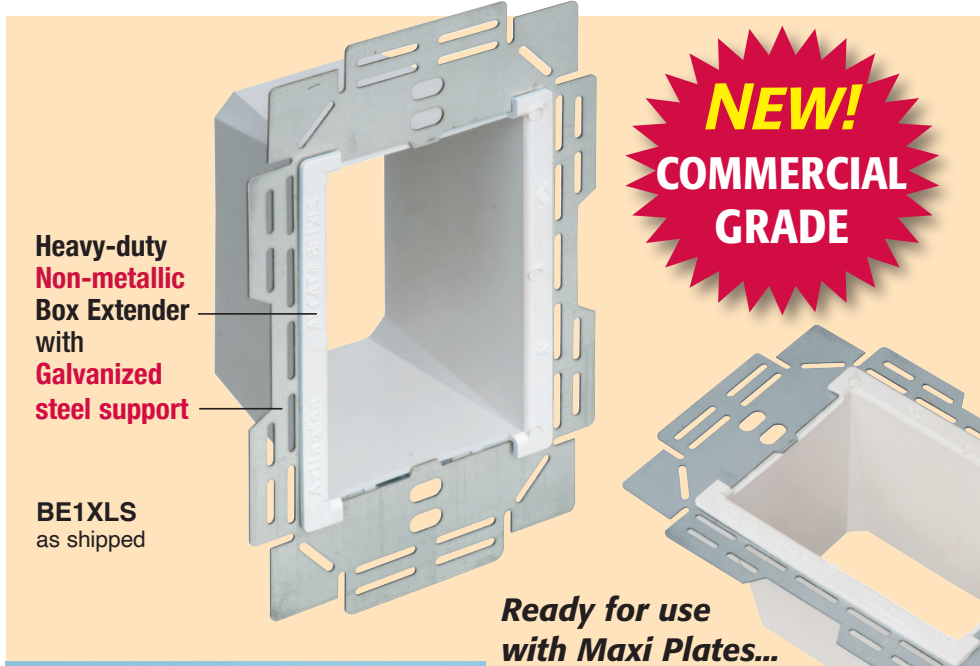


**NEW!**

# COMMERCIAL GRADE Box Extender

*Trimmable • Listed • Extends Set Back Boxes Up to 1-1/2 inches*



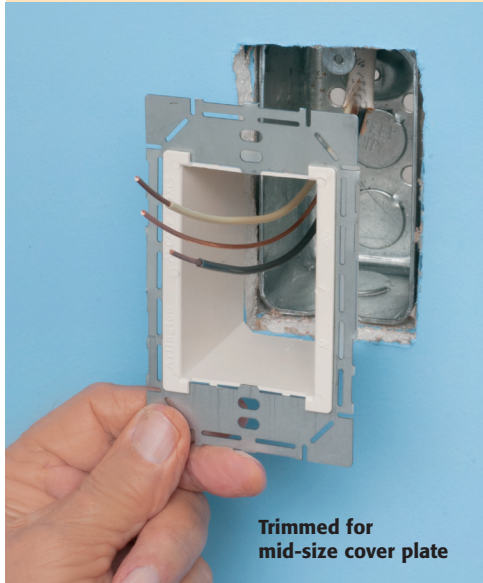
Heavy-duty  
Non-metallic  
Box Extender  
with  
Galvanized  
steel support

BE1XLS  
as shipped

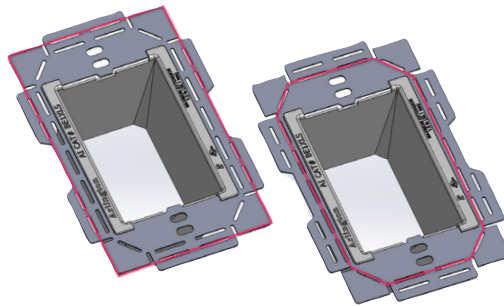
**NEW!**  
**COMMERCIAL  
GRADE**

*Ready for use  
with Maxi Plates...*

*Trimmable for use with  
Mid- and Standard Wall Plates*



Trimmed for  
mid-size cover plate



Trim along line with snips  
for Mid-size Cover Plates

Standard Cover Plate  
Cutting guideline

Arlington's heavy duty, commercial-grade Box Extender saves time! It's convenient too.

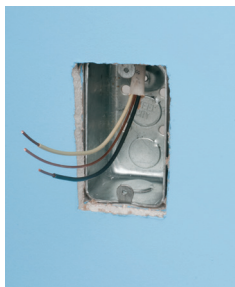
In addition to *extending* set back metallic and non-metallic electrical boxes *up to 1-1/2"*, it works with maxi, midi and standard wall plates.

**BE1XLS** ships ready to use with a maxi cover plate – great for hiding poorly cut drywall. It's also trimmable for use with mid-size and standard wall plates.

- Levels, supports wiring devices; protects wires against damage and stripping
- Non-metallic box extender with galvanized steel support plate
- **2-Hour Fire Rating**
- cULus Listed



Ready for installation  
of standard wall plate



Patent pending



**Arlington®**

1 Stauffer Industrial Park  
Scranton, PA 18517  
800/233.4717 • Fax 570/562.0646  
www.aifittings.com

Catalog Number	UPC/DEI/NAED Mfg. #018997	Description	Unit Pkg	Std Pkg
BE1XLS	40172	Single-gang Box Extender Heavy-duty Commercial Grade Extends set back boxes up to 1-1/2"	20	20

**TWO HOUR  
FIRE RATING**

